

PRODUCT NUMBER
95293-XXX-XXLF

WHEN REQUIRED, ADD SUFFIX LETTER "LF"
INDICATES THE PRODUCT IS RoHS
COMPATIBLE, SEE NOTE 6
TOTAL NB OF POSITIONS, 3 TO 17
PACKAGING TYPE, NOTE 3

PLATING

1=0.76µm GOLD/GXT ON CONTACT AREA
3.81µm TIN-LEAD ON TAIL

4=3.81µm TIN-LEAD ON CONTACT AREA
AND ON TAIL

8=0.38µm GOLD/GXT ON CONTACT AREA
3.81µm TIN-LEAD ON TAIL

WHEN "LF" IS REQUIRED, 2µm MIN
MATTE TIN OVER 1.27µm MIN NICKEL
INSTEAD OF TIN-LEAD

CATALOGUE RANGE	
PIN STYLE	MATING
01	5.84
02	8.08

APPLICATION SPECIFIC	
PIN STYLE	MATING
05	9.6

NOTES:

1 - HOUSING MAT'L : HIGH TEMPERATURE
THERMOPLASTIC. UL94V-0 COLOR: BLACK

2 - PIN MATERIAL : PHOSPHOR BRONZE

3 - PACKAGING

- = POLY BAGS

B = TUBE + CAP

A = TAPE & REEL + CAP, SEE TA840 FOR
PRODUCT AVAILABILITY

4 - 9N MIN RETENTION IN EITHER DIRECTION

5 - TO DETERMINE DIMENSIONS :

N = NUMBER OF POSITIONS

EXAMPLE : 8 POS N x 2.54 = 20.32mm

6. RoHS COMPATIBLE PRODUCT SPECIFICATIONS

a - PLATING:

- "LF" MEANS THE PRODUCT IS LEAD-FREE,
2µm MINIMUM MATTE TIN OVER 1.27µm
MINIMUM NICKEL UNDERPLATE.

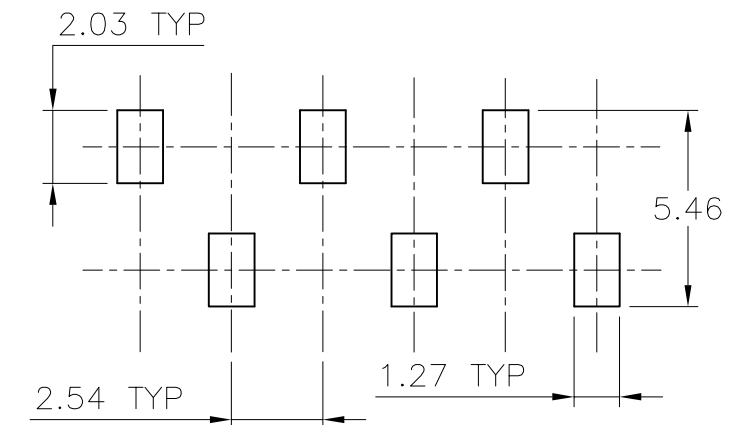
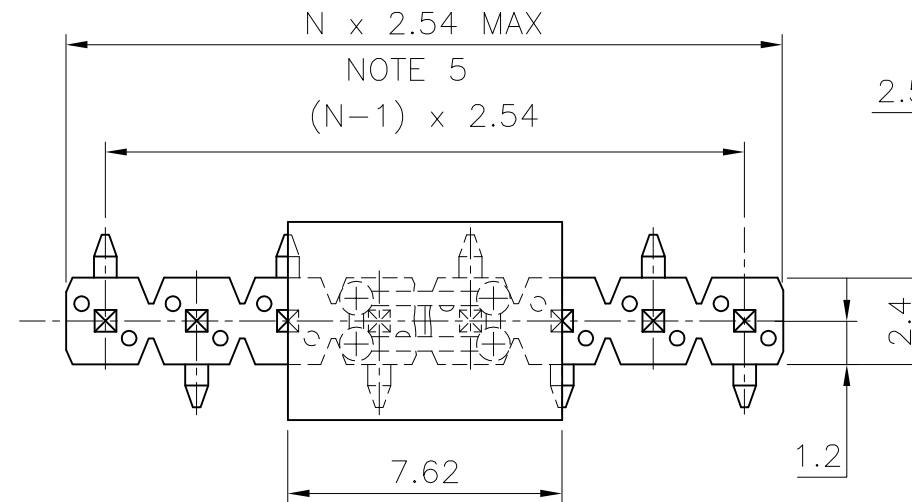
b - MANUFACTURING PROCESS COMPATIBILITY

- THE HOUSING WILL WITHSTAND EXPOSURE TO
260°C PEAK TEMPERATURE FOR 30 SECONDES
IN A CONVECTION, INFRA-RED OR VAPOR
PHASE REFLOW OVEN.

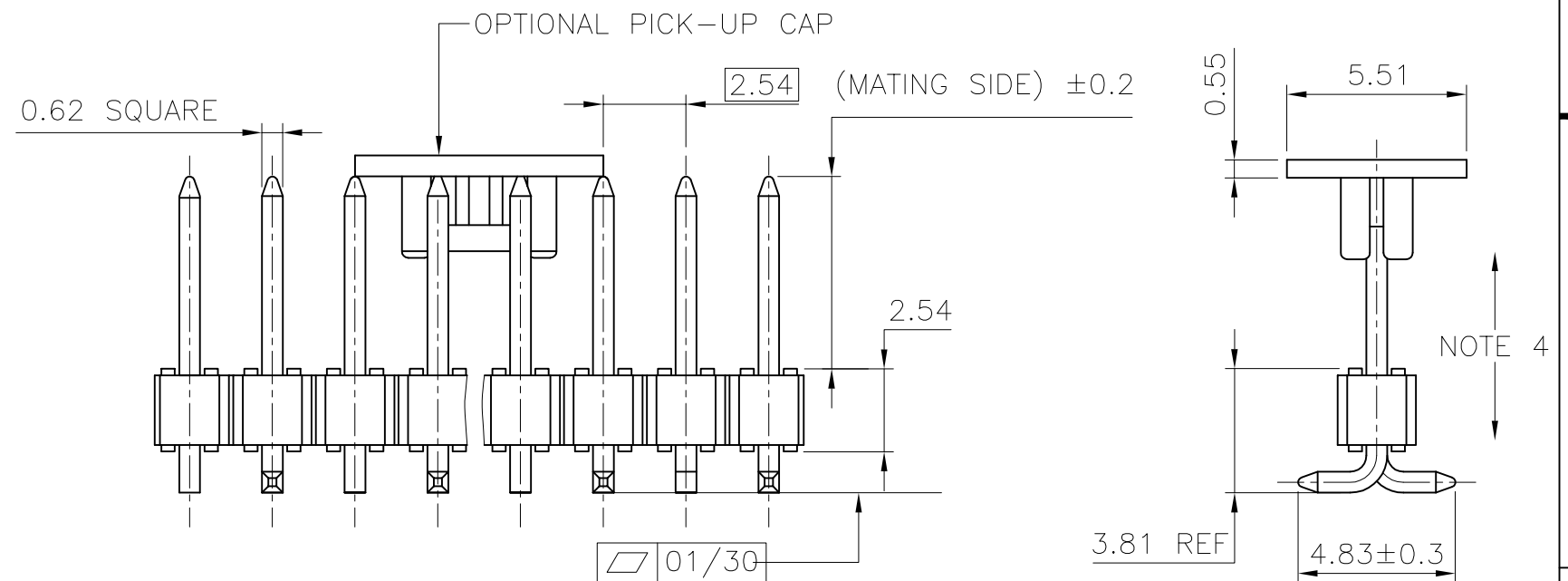
c - LABELING:

- MEETS PACKAGING SPECS AS PER GS-14-920

d - LEGAL STATEMENT: SEE GS-22-008



RECOMMENDED PAD LAYOUT



mat'l. code		surface		tolerance		projection		product family	
SEE NOTES		ISO 1302		ISO 406 ISO 1101		mm		BERGSTIK	
ltr	ecn no	dr	date	tolerances unless otherwise specified		mm		title	
G	F00162	LMU	00.03.20	angles	x.x ±0.3	mm		UNSHR.HEADER	
H	F10119	DLE	01.01.24	linear	x.xx ±0.13	mm		SR SMT	
J	F20567	JCO	02.10.21	σ ±2	x.xxx ±0.05	scale 5:1		dwg no	
K	F04-0362	JCO	04.12.10	dr	D.LE	01.01.24		sheet 1 of 1	
L	F06-0208	JCO	06.06.22	enrg	JM.C	01.01.24		size	
M	F08-0148	RTR	08.03.31	chr	JM.C	01.01.24		95293	
				appd	JF.N	01.01.24		A3	
sheet index		revision sheet						type	
								CUSTOMER Drawing	